

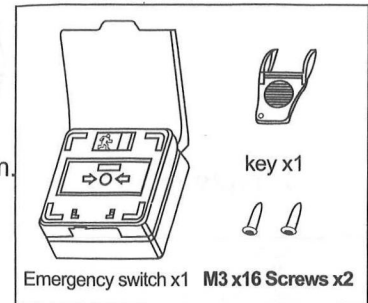
# Resetable Switch Call Point Installation Manual

## ※ Features

- 1.Resetable design,obvious indicators around the edges of the unit.
- 2.Press the pressing plate to enable the output function.
- 3.Pressing plate with status (green and red) shown.
- 4.Reversionary key with non-slip design.
- 5.Input power range from DC12-24V to connect with all types of fire alarm system.
- 6.Built-in buzzer status to set as silent, interval wailing or continuous wailing  
Volume is adjustable.
- 7.Easy to assemble, outer case without screws, 3 set of output points to connect other equipment, embedded or surface installations to select.

Note: only has output point function.

## ※ Accessories

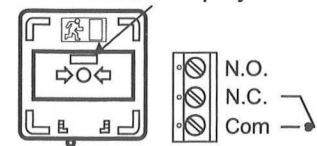


## ※ Specifications

Item	Parameters		Note
Power supply	DC 12V~DC 24V	×	±5 %
Operation current	DC 12V/18mA(Standby)/75mA(Operation)	×	±5 %
	DC 24V/11mA(Standby)/41mA(Operation)	×	±5 %
Buzzer	Set as silent,interval wailing or continuous wailing	×	
Indicator	Dual-color (red and green). Red indicator to set blinking , off or on.	×	
Output	N.O. N.C.& COM.Output (Maximum load of 125V/3A)		
Weight	SCP-100:192g/SCP-110:208g		
Dimensions	90mm(L)x93mm(W)x45mm(H)		
Material	ABS,PC(transparent part)		

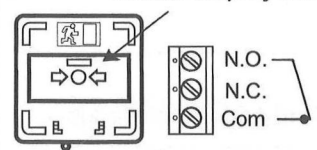
### 【Standby】

Status display:Green

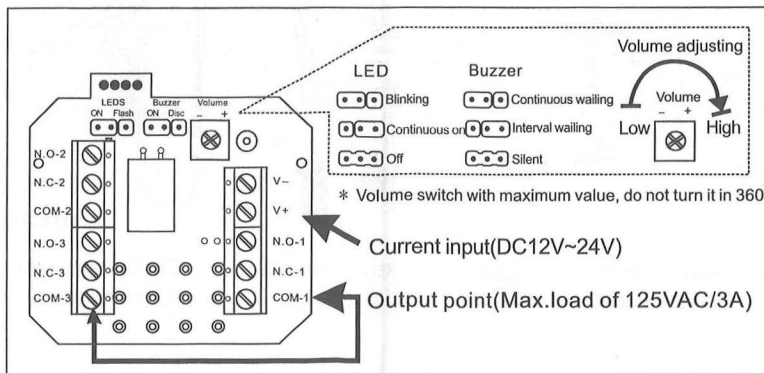


### 【Operation】

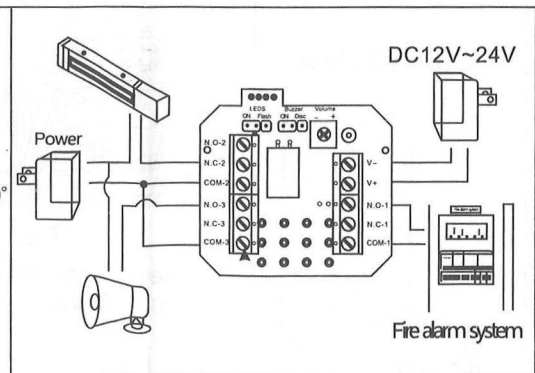
Status display:Red



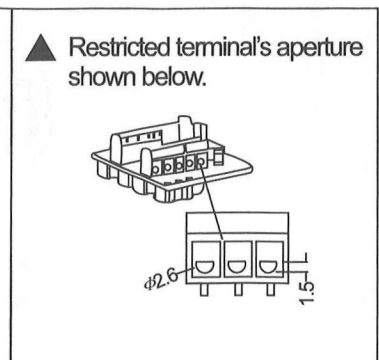
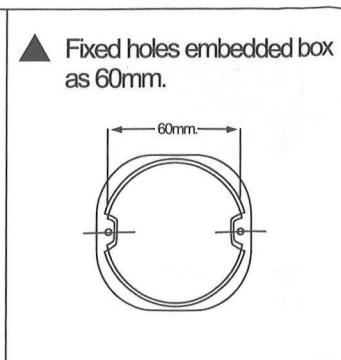
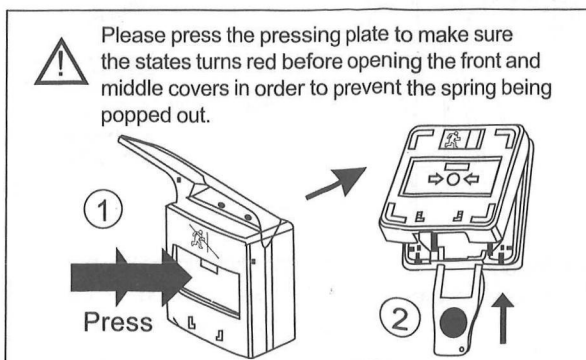
## ※ Connections



## ※ Wiring Diagram

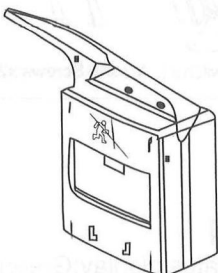
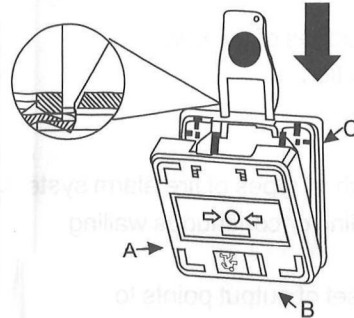
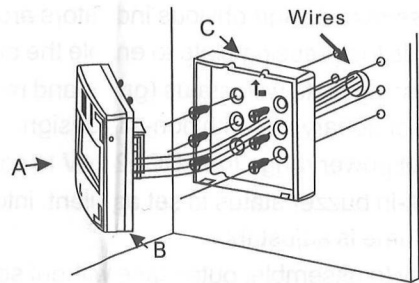
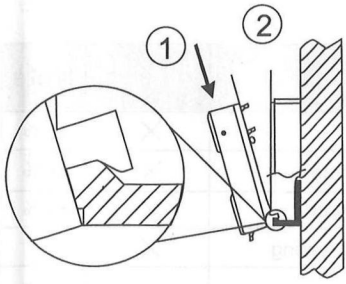
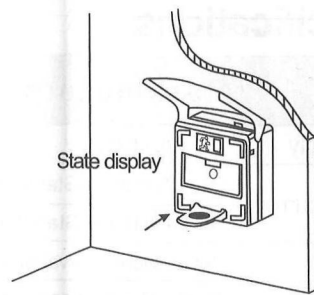


## ※ Attention before installation

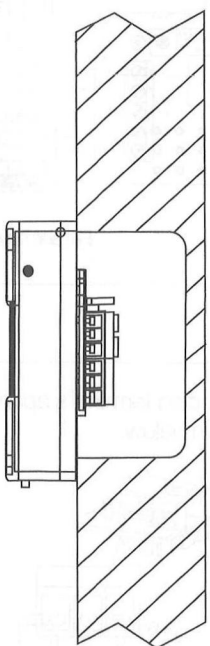
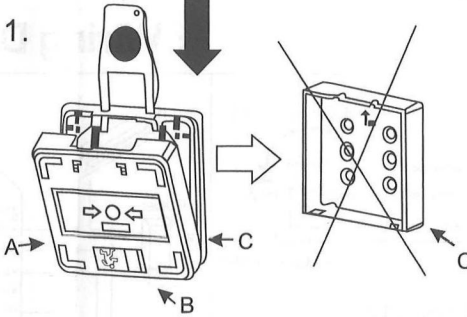
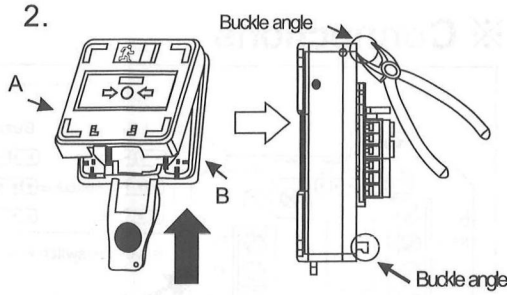
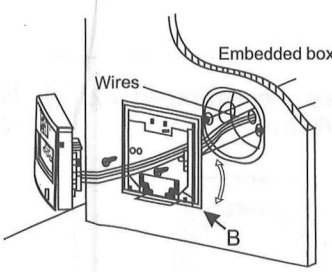
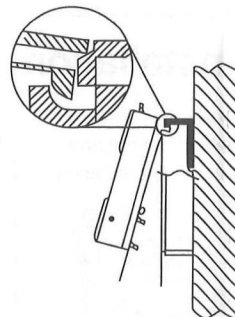
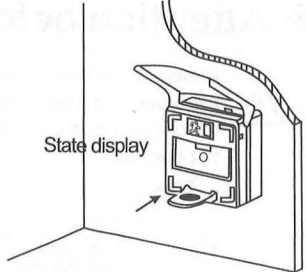


# ※ Installation

## Surface Installation

<p>Installation steps</p> <p>Completed</p> 	<ol style="list-style-type: none"> <li>  <p>Use key to disassemble B and C fastenings.</p> </li> <li>  <p>Fix bottom cover C and connect the wires</p> </li> <li>  <p>Fastening the unit as the diagram shown above.</p> </li> <li>  <p>Insert the key into the key hole. Pull the key out when the states turns green to complete the setting.</p> </li> </ol>
--	---

## Embedded Installation

<p>Installation steps</p> <p>Lateral view</p> 	<ol style="list-style-type: none"> <li>  <p>Use key to disassemble B and C fastenings.</p> <p>No bottom cover C needed for embedded installation.</p> </li> <li>  <p>Use key to disassemble A and B fastenings.</p> <p>Clip the unnecessary buckle angles.</p> </li> <li>  <p>Fix middle cover B and connect the wires.</p> </li> <li>  <p>Fastening the unit as the diagram shown above.</p> </li> <li>  <p>Insert the key into the key hole. Pull the key out when the states turns green to complete the setting.</p> </li> </ol>
---	---